

Unis 150-3RF (rev 5), pientalokeskus

Weight: 58 kg ID: L111345 Date: 12.10.22

We reserve the right to make changes

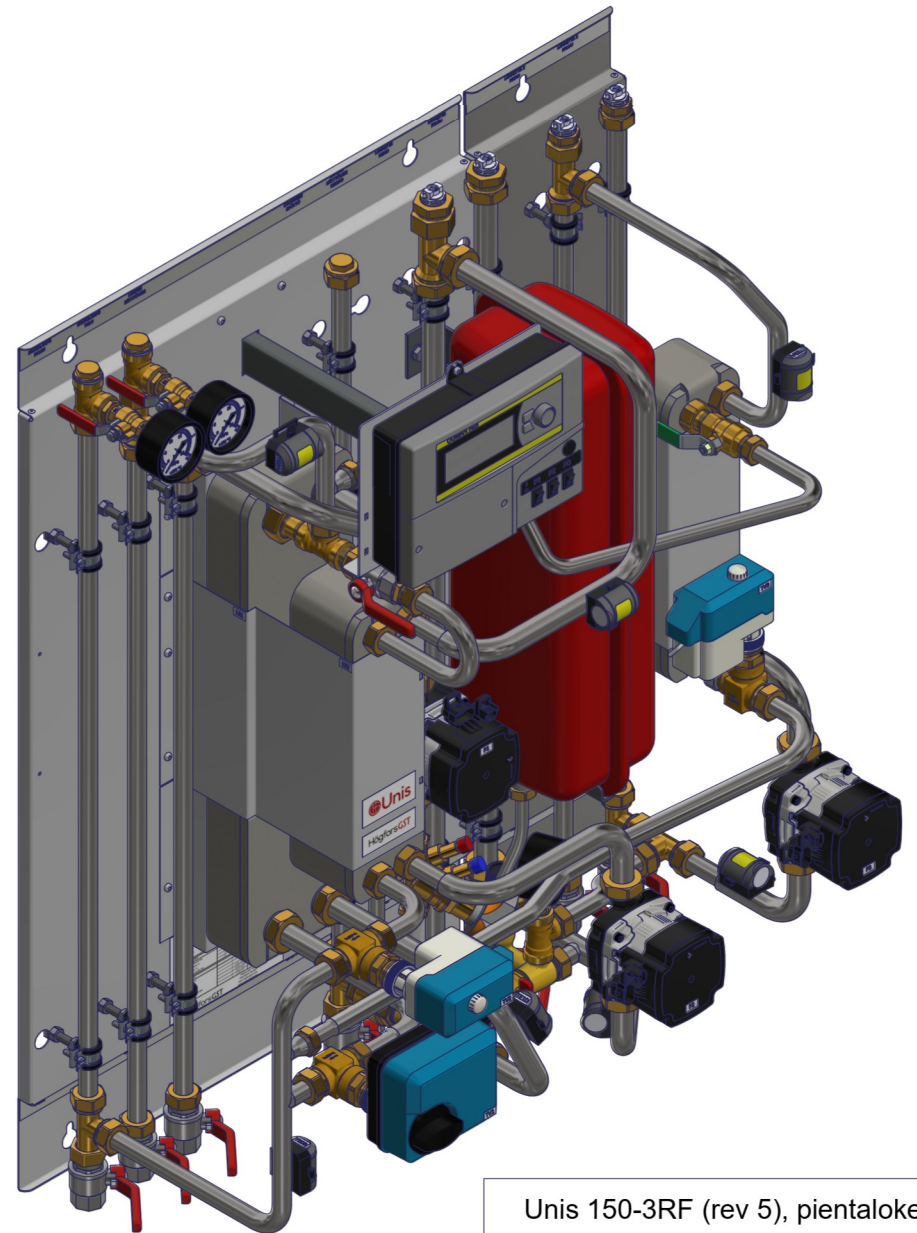
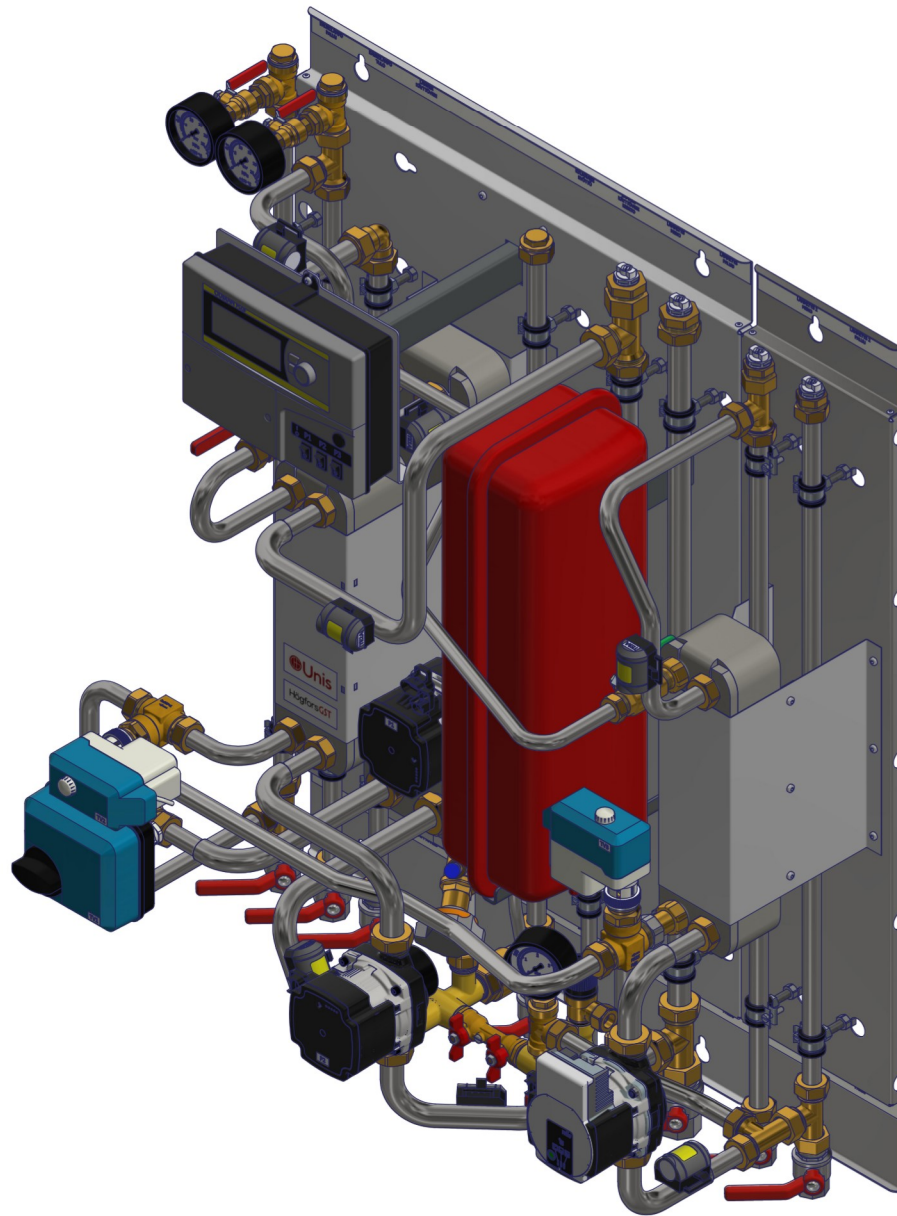
HögforsGST

Drawing: Layout 150-3RF (rev 5).idw

Scale: 1 : 8

Sheet: 1 / 2

Sheet size: A3



Unis 150-3RF (rev 5), pientalokeskus

Weight: 58 kg ID: L111345 Date: 12.10.22

We reserve the right to make changes

Högfors**GST**

Drawing: Layout 150-3RF (rev 5).idw

Scale: 1 : 5

Sheet: 2 / 2

Sheet size: A3